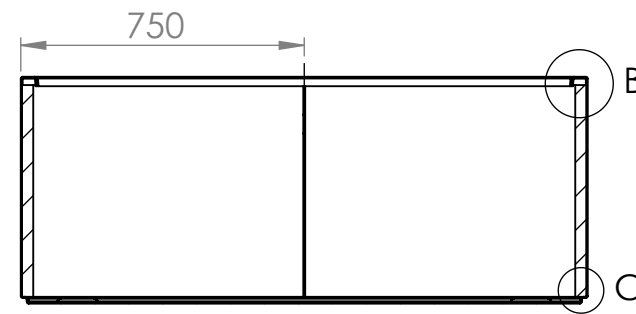
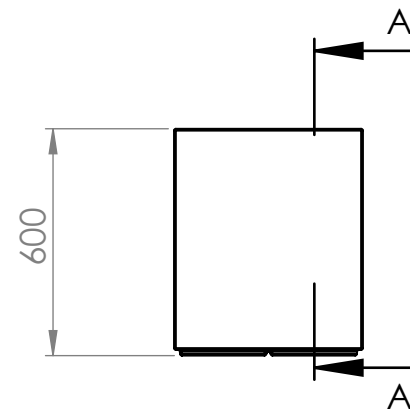
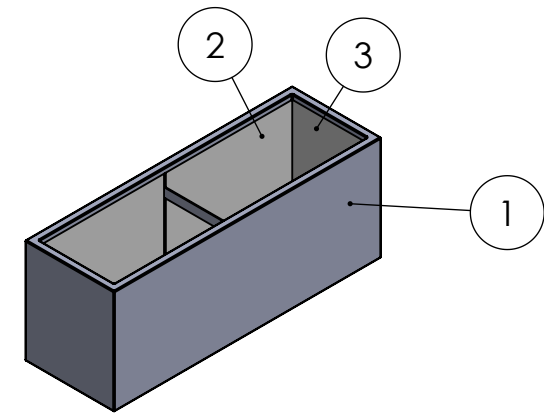
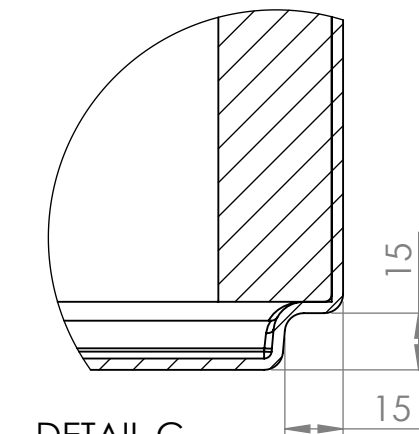
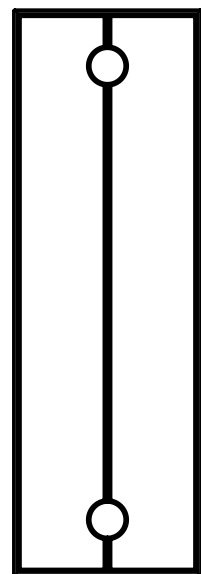
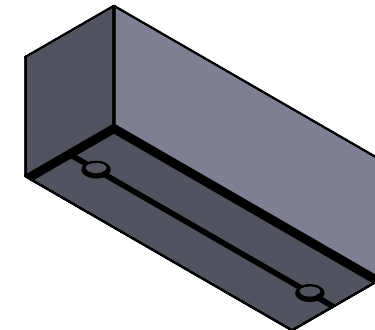


DETAIL B
SCALE 1 : 2



SECTION A-A



DETAIL C
SCALE 1 : 2